



**HERO
PLAST**
Plastic Industries





ABOUT US

HEROPLAST is an extension of **Turkish plastic manufacturing company** that was originally created as a partnership between **“Copy tech”**, an Egyptian manufacturer of plastic and **“LIZ plastik”**, a Turkish manufacturer of a vast array of **plastic goods**. The company prides itself on delivering very **high quality** with competitive pricing, and on adhering to **world class safety** and **health standards**.



MISSION

We aim to deliver the **best quality** plastic products through the attainment of the **highest quality materials** and state of the art manufacturing practices. We also aim to be continuously **innovative** and **attentive**.

VISION

To become the **benchmark** manufacturer of plastic products in Egypt and the MENA region, delivering **noticeable value** to our customers and partners alike .





CERTIFICATE

LİZ PLASTİK VE İNŞAAT SANAYİ TİCARET LTD. ŞTİ.

İSTOÇ MAHMUTBEY MAH. 16. YOL SOKAK NO: 42
BAĞCILAR / İSTANBUL / TÜRKİYE

*Has been assessed and found to Comply with the Requirements of:
Denetlenmiş ve aşağıdaki standartın gerekliliklerine uygunluğu görülmüştür:*

ISO 9001:2008

*The Quality Management System is applicable to:
Kalite Yönetim Sistemi:*

PLASTİKTEN ÜRETİLEN EV GEREÇLERİ, PROMOSYON MALZEMELERİ, SATIŞ
DESTEKLEME SİSTEMLERİ, MEDİKAL ÜRÜNLER, BEBEK ÜRÜNLERİ, OYUNCAK,
KIRTASIYE MALZEMELERİ ÜRETİMİ, SATIŞI, İTHALATI VE İHRACATI

PRODUCTION, SALES, IMPORT AND EXPORT OF DOMESTIC APPLIANCES,
PROMOTIONAL MATERIALS, SALES SUPPORT SYSTEMS, MEDICAL PRODUCTS,
BABY PRODUCTS, TOY, STATIONERY EQUIPMENT FROM PLASTIC

Certificate Number: 2016/513/QMS
Belge Numarası: 2016/513/QMS

Initial Certification Date: 11.02.2016
İlk Belgelendirme Tarihi: 11.02.2016

Certification Period: 3years
Belgelendirme-Periyodu: 3 yıl

Certificate Expiry Date: 10.02.2017
Belge Geçerlilik Tarihi: 10.02.2017



Handwritten signature

Registration No: M5150113TB JAS-ANZ Accredited CAB www.jas-anz.org/register

(I . Q . R .) İ . R . ULUSLARARASI BELGELENDİRME HİZMETLERİ LTD. ŞTİ.

Hürriyet Mh. Aydın Sk. No:2 Kat:3 Osmangazi / BURSA
Tel.: +90.224.266 00 16 Faks: +90.224.249 41 13 www.iqrcert.com e-posta: info@iqrcert.com / iqrcert@gmail.com



CERTIFICATE

LİZ PLASTİK VE İNŞAAT SANAYİ TİCARET LTD. ŞTİ.

İSTOÇ MAHMUTBEY MAH. 16. YOL SOKAK NO: 42
BAĞCILAR / İSTANBUL / TÜRKİYE

*Has been assessed and found to Comply with the Requirements of:
Denetlenmiş ve aşağıdaki standartın gerekliliklerine uygunluğu görülmüştür:*

OHSAS 18001:2007

*The Occupational Health and Safety Management System is applicable to:
İş Sağlığı Ve Güvenliği Yönetim Sistemi:*

PLASTİKTEN ÜRETİLEN EV GEREÇLERİ, PROMOSYON MALZEMELERİ, SATIŞ
DESTEKLEME SİSTEMLERİ, MEDİKAL ÜRÜNLER, BEBEK ÜRÜNLERİ, OYUNCAK,
KIRTASIYE MALZEMELERİ ÜRETİMİ, SATIŞI, İTHALATI VE İHRACATI

PRODUCTION, SALES, IMPORT AND EXPORT OF DOMESTIC APPLIANCES,
PROMOTIONAL MATERIALS, SALES SUPPORT SYSTEMS, MEDICAL PRODUCTS,
BABY PRODUCTS, TOY, STATIONERY EQUIPMENT FROM PLASTIC

Certificate Number: 2016/167/OHS
Belge Numarası: 2016/167/OHS

Initial Certification Date: 11.02.2016
İlk Belgelendirme Tarihi: 11.02.2016

Certification Period: 3years
Belgelendirme Periyodu: 3 yıl

Certificate Expiry Date: 10.02.2017
Belge Geçerlilik Tarihi: 10.02.2017



Handwritten signature

Registration No: M5150113TB JAS-ANZ Accredited CAB www.jas-anz.com.au
Bu sertifikanın geçerliliği www.iqrcert.com adresinde belge sorgulama bölümünden sorgulanabilir. Bu belge, kuruluşun IQR
Belgelendirme kurallarına uyması durumunda geçerlidir.

(I . Q . R .) İ . R . ULUSLARARASI BELGELENDİRME HİZMETLERİ LTD. ŞTİ.

Hürriyet Mh. Aydın Sk. No: 2 Kat : 3 Osmangazi / BURSA
Tel.: +90.224.266 00 16 Faks: +90.224.249 41 13 www.iqrcert.com e-posta: info@iqrcert.com / iqrcert@gmail.com

PREVIOUS DEALS





ÜLKER

NESCAFÉ **VESTEL**

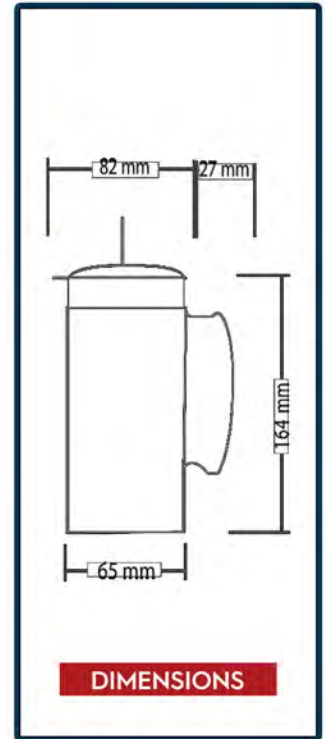


Kinder



TUMBLERS

WHERE IDEAS TAKE SHAPE.

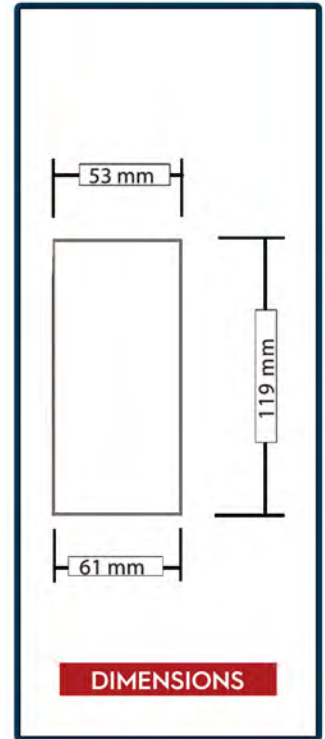


COCA-COLA TUMBLER

كوب بيد

TUMBLERS

WHERE IDEAS **TAKE SHAPE.**

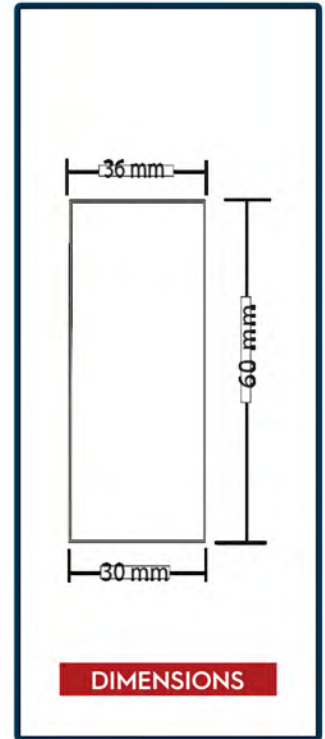


**COLORED & TRANSPARENT
PRINTED CUP**

كوب اللون و شفاف مطبوع

TUMBLERS

WHERE IDEAS TAKE SHAPE.

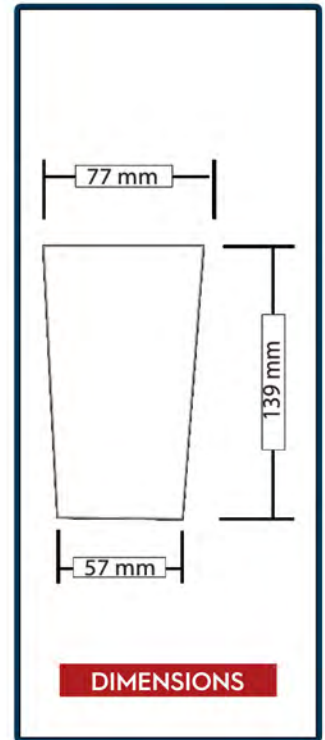


CUP WITH ROPE

كوب بحبل

TUMBLERS

WHERE IDEAS **TAKE SHAPE.**

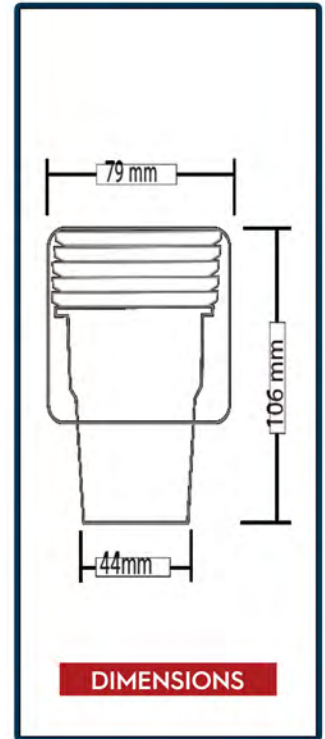


PRINTED CUP

كوب مطبوع

TUMBLERS

WHERE IDEAS TAKE SHAPE.

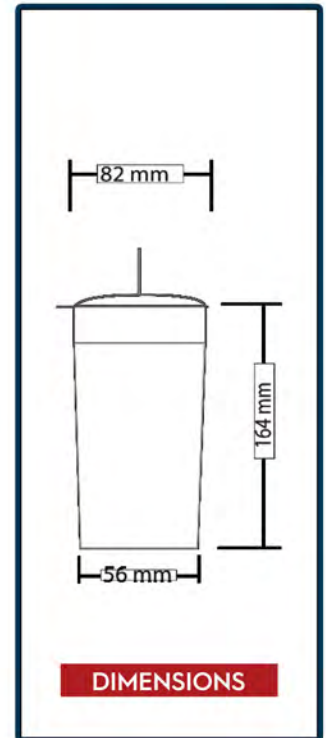


SET OF CUPS WITH LID

مجموعة الكؤوب + غطاء

TUMBLERS

WHERE IDEAS **TAKE SHAPE.**

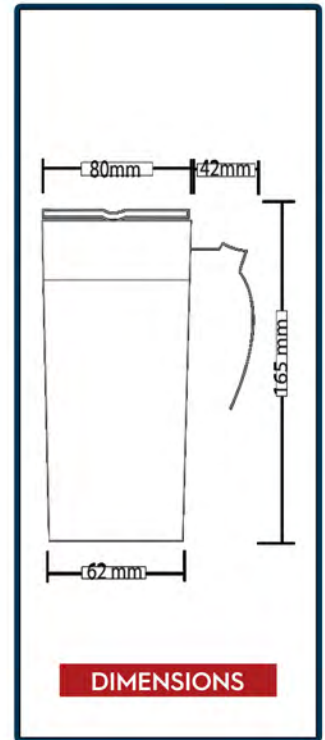


LIPTON TUMBLER

كوب

TUMBLERS

WHERE IDEAS **TAKE SHAPE.**

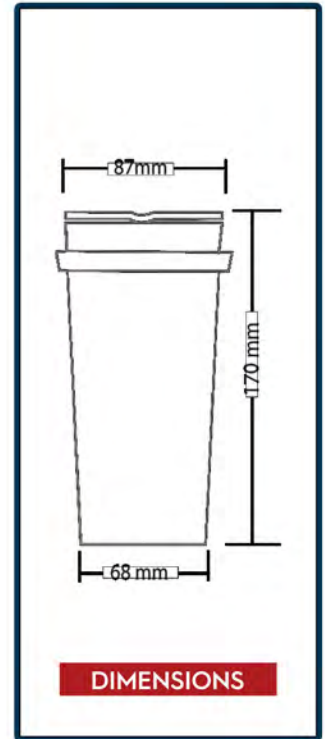


**THERMAL TUMBLER
WITH HANDLE**

کوب حرارتی بید

TUMBLERS

WHERE IDEAS TAKE SHAPE.

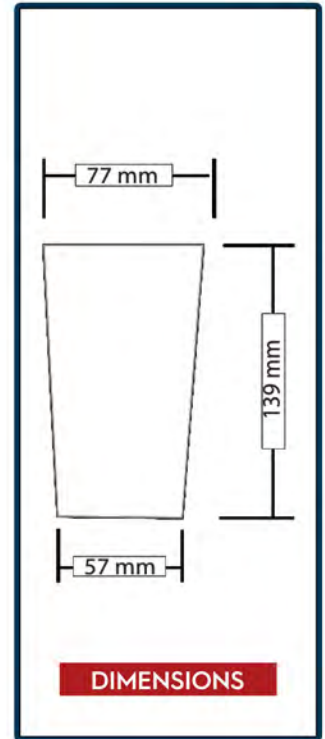


THERMAL TUMBLER

کوب حراری

TUMBLERS

WHERE IDEAS TAKE SHAPE.

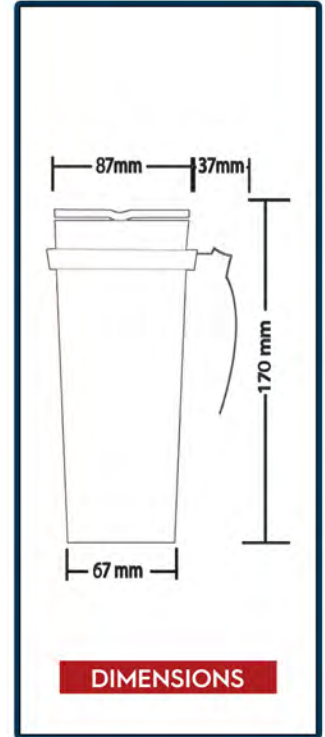


TRANSPARENT PRINTED CUP

كوب شفاف مطبوع

TUMBLERS

WHERE IDEAS TAKE SHAPE.

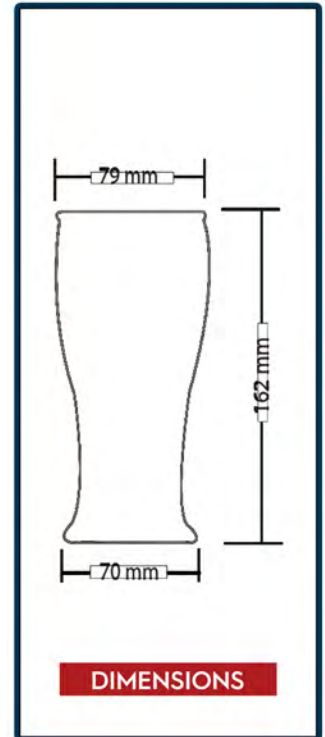


TRAVELLING TUMBLER

كوب للسيارة

TUMBLERS

WHERE IDEAS TAKE SHAPE.

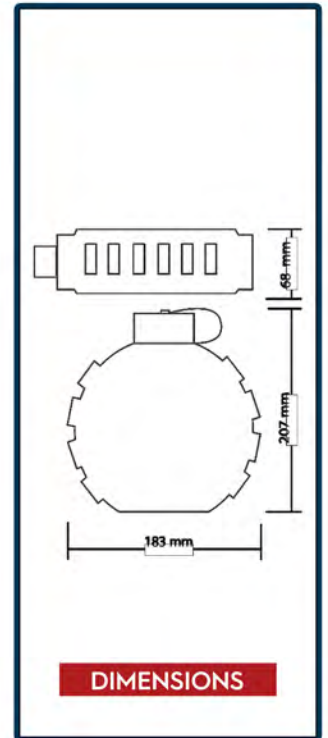


TWIRLING CUP

کوب طرزونی

BOTTLES

WHERE IDEAS TAKE SHAPE.

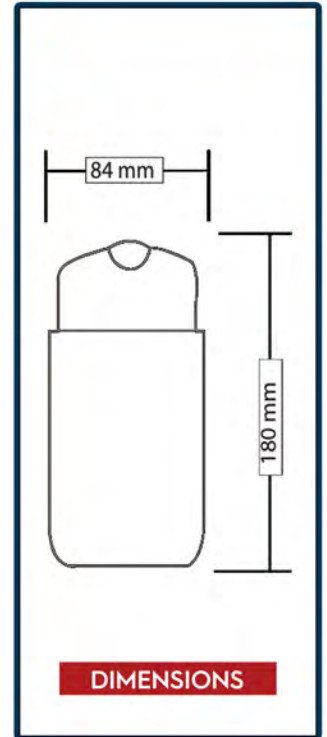


FLASK

زجاجة

BOTTLES

WHERE IDEAS TAKE SHAPE.

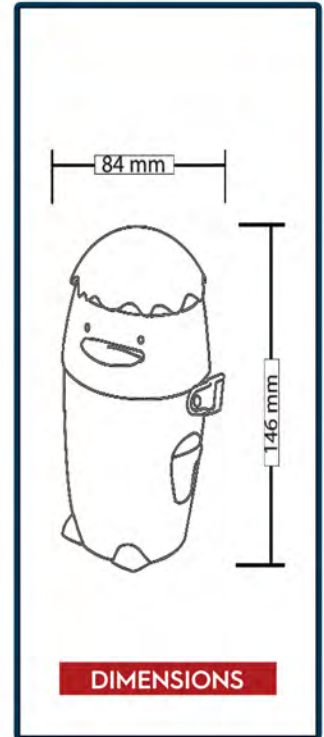


KIDS BOTTLE

زجاجة اطفال

BOTTLES

WHERE IDEAS TAKE SHAPE.

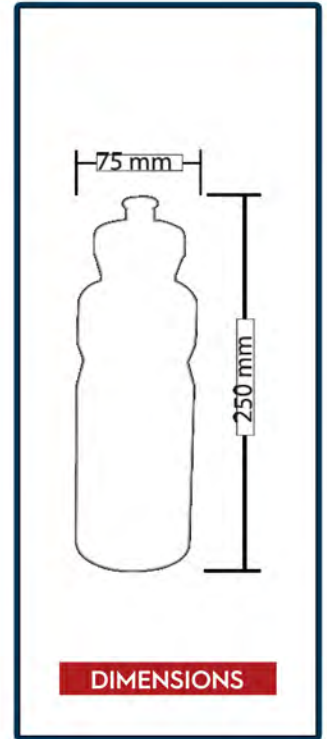


KIDS DUCK BOTTLE

زجاجة اطفال

BOTTLES

WHERE IDEAS TAKE SHAPE.

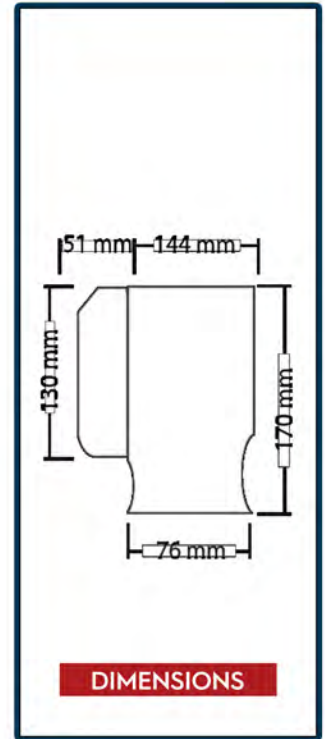


SPORT FLASK

زجاجة للرياضة

ACCESSORIES

WHERE IDEAS TAKE SHAPE.

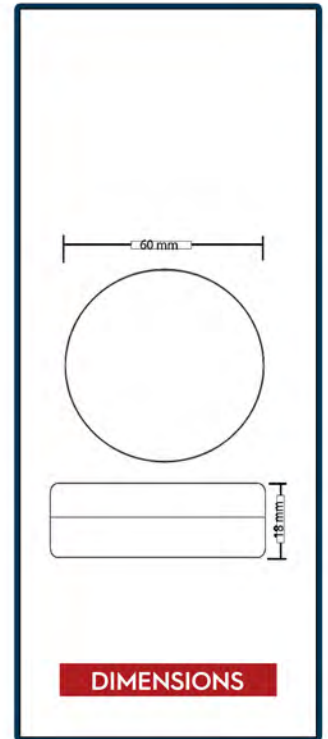


BOTTLE HOLDER

حامل زجاجة

ACCESSORIES

WHERE IDEAS **TAKE SHAPE.**

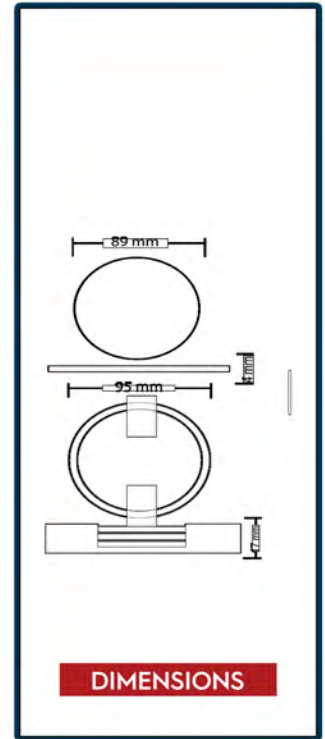


CAR SPONGE

اسفنجة للسيارة

ACCESSORIES

WHERE IDEAS TAKE SHAPE.

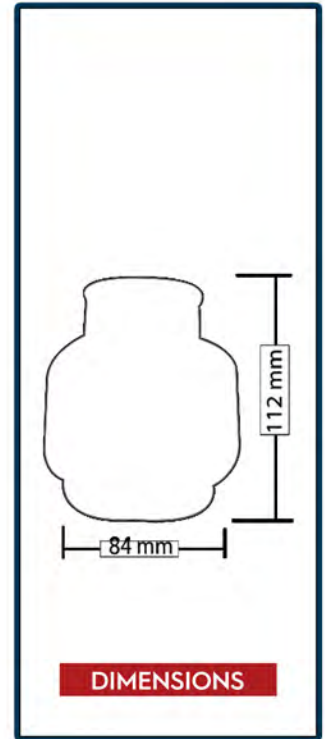


COASTER 2

کوسٹر 2

ACCESSORIES

WHERE IDEAS TAKE SHAPE.

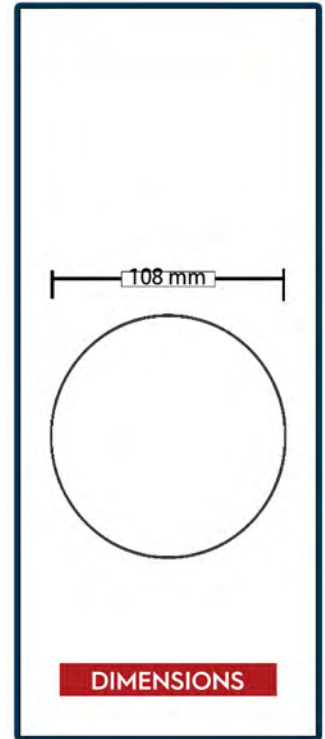


COASTER 3

کوستر 3

ACCESSORIES

WHERE IDEAS TAKE SHAPE.



COASTER 4

کوستر 4

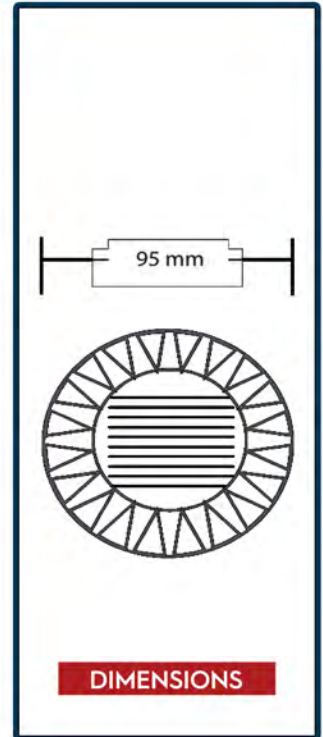
ACCESSORIES

WHERE IDEAS TAKE SHAPE.



COASTER

كوستر



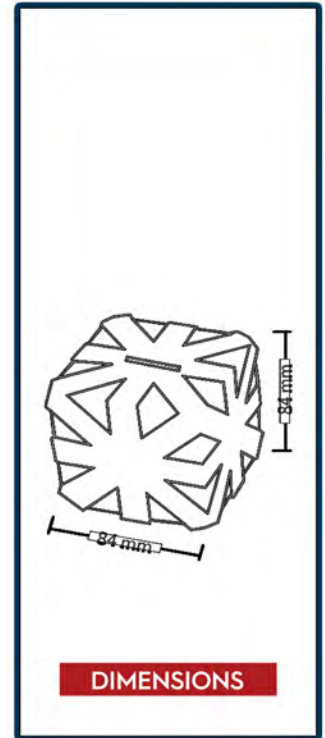
ACCESSORIES

WHERE IDEAS TAKE SHAPE.



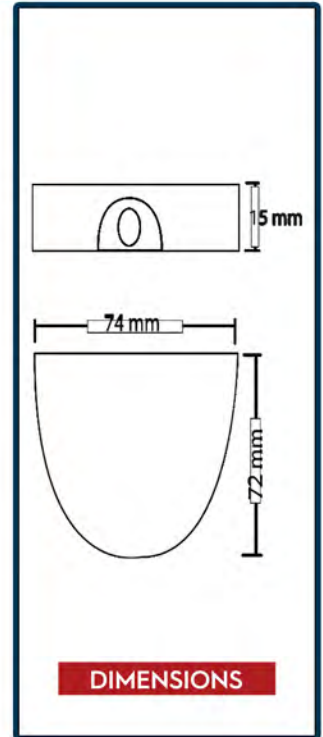
COIN BANK

حالة



ACCESSORIES

WHERE IDEAS TAKE SHAPE.



COIN HOLDER

حامل عملة

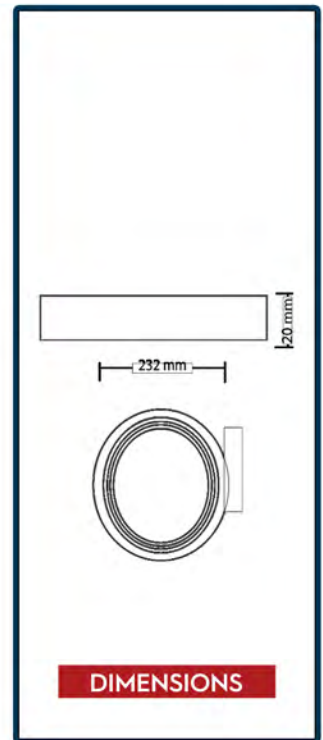
ACCESSORIES

WHERE IDEAS **TAKE SHAPE.**



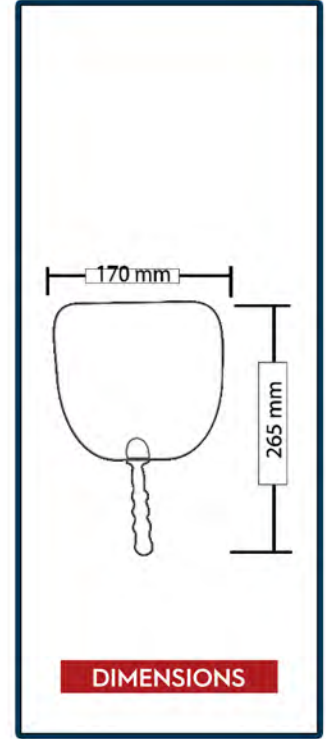
DISK FRISBEE

طبق طاير



ACCESSORIES

WHERE IDEAS TAKE SHAPE.

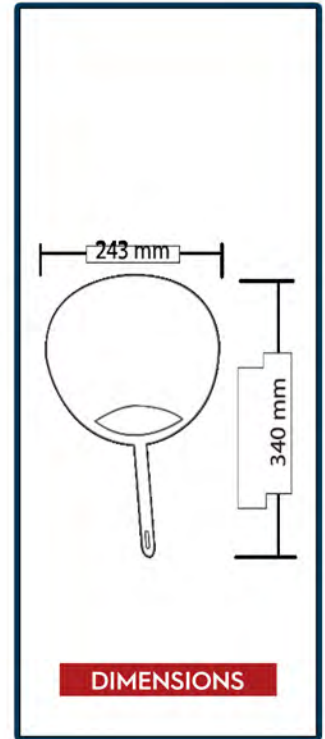


EXPO 2

مروحة يد 2

ACCESSORIES

WHERE IDEAS TAKE SHAPE.



EXPO

مروحة يد

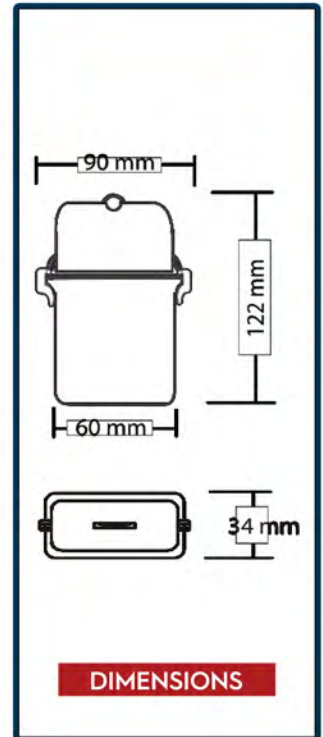
ACCESSORIES

WHERE IDEAS **TAKE SHAPE.**



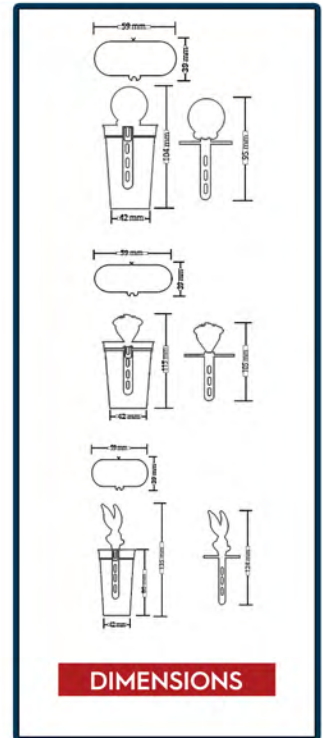
HOLDER

حامل



ACCESSORIES

WHERE IDEAS TAKE SHAPE.

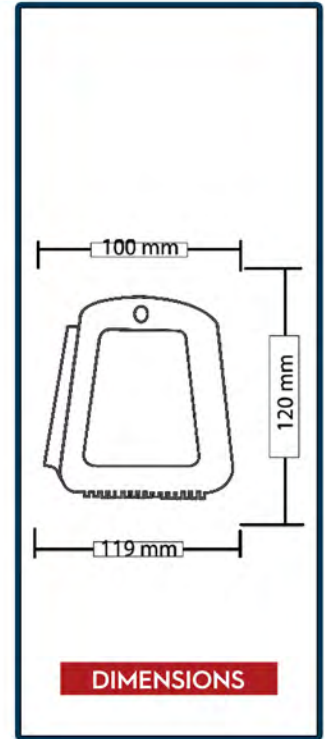


ICE CREAM STICK

حانغ ايس كريم

ACCESSORIES

WHERE IDEAS TAKE SHAPE.



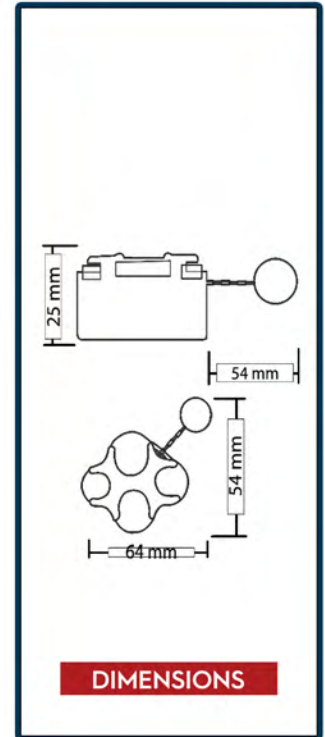
DIMENSIONS

KEY CHAIN 2

ميدالية مفاتيح 2

ACCESSORIES

WHERE IDEAS TAKE SHAPE.

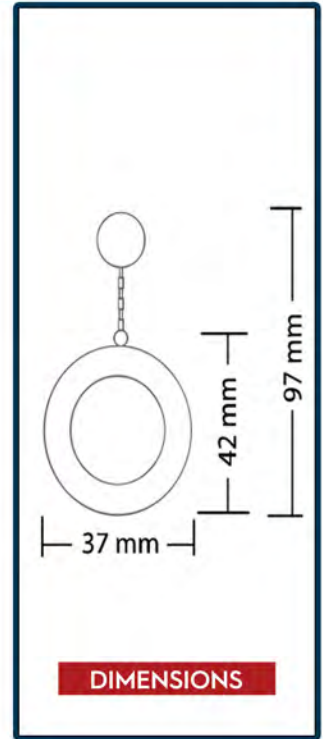


KEY CHAIN 3

ميدالية مفاتيح 3

ACCESSORIES

WHERE IDEAS TAKE SHAPE.

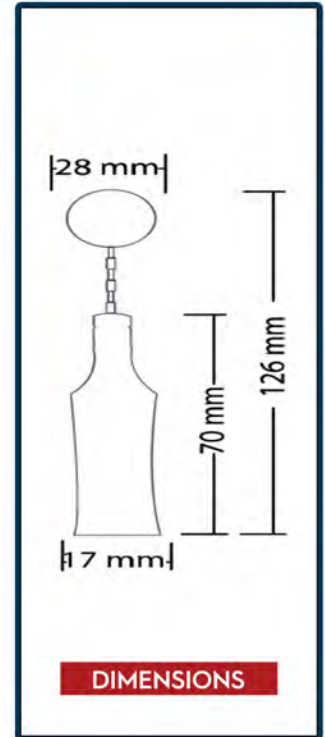


KEY CHAIN 4

ميدالية مفاتيح 4

ACCESSORIES

WHERE IDEAS TAKE SHAPE.



KEY CHAIN 5

ميدالية مفاتيح 5

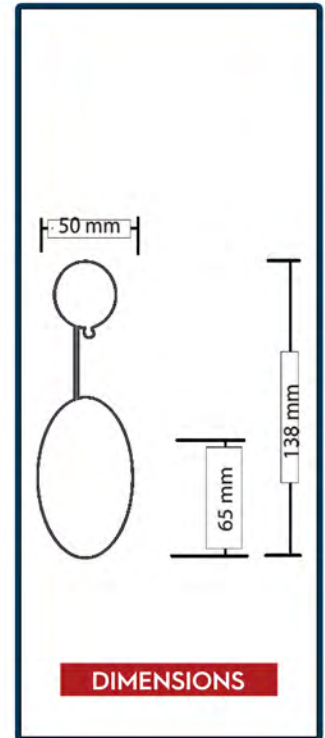
ACCESSORIES

WHERE IDEAS TAKE SHAPE.



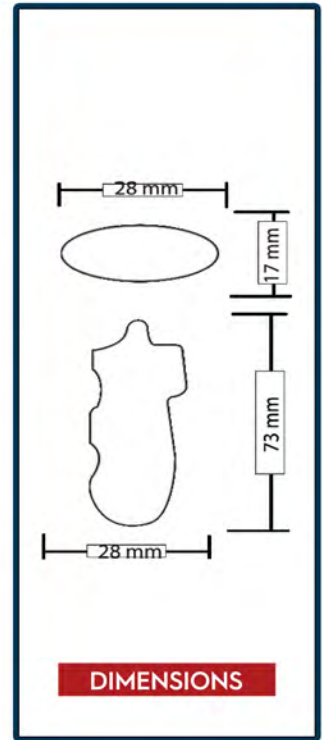
KEY CHAIN

ميدالية مفاتيح



ACCESSORIES

WHERE IDEAS TAKE SHAPE.

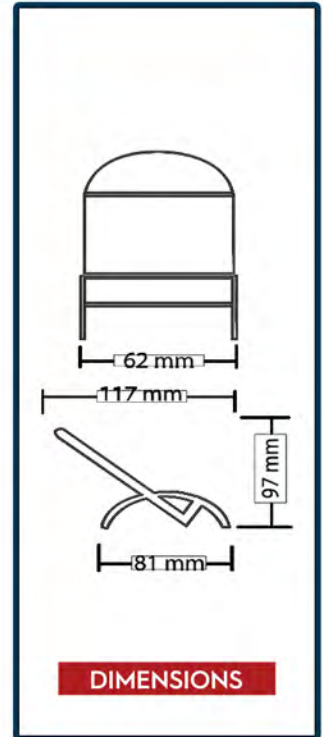


LIGHTER HOLDER

حامل ولاءة

ACCESSORIES

WHERE IDEAS TAKE SHAPE.

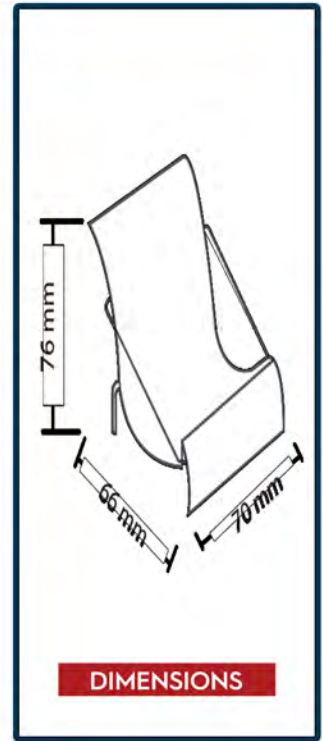


MOBILE HOLDER 2

حامل موبایل 2

ACCESSORIES

WHERE IDEAS TAKE SHAPE.

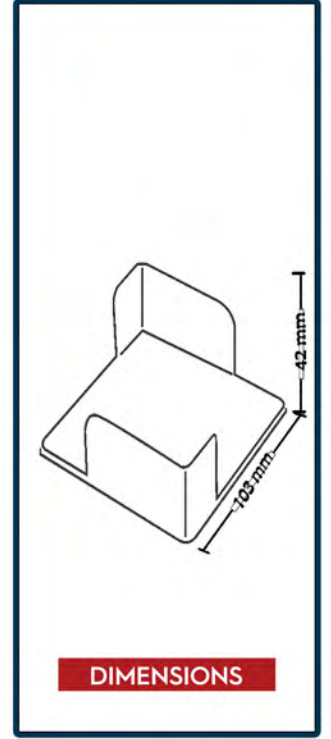


MOBILE HOLDER

حامل موبایل

ACCESSORIES

WHERE IDEAS TAKE SHAPE.

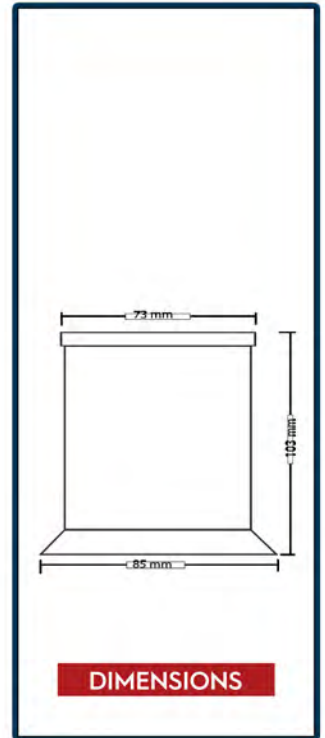


NOTEPAD HOLDER

حامل ورق

ACCESSORIES

WHERE IDEAS TAKE SHAPE.

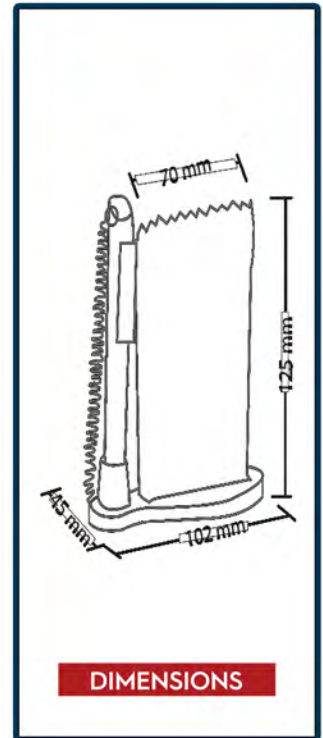


PEN HOLDER

حامل اقلام

ACCESSORIES

WHERE IDEAS TAKE SHAPE.



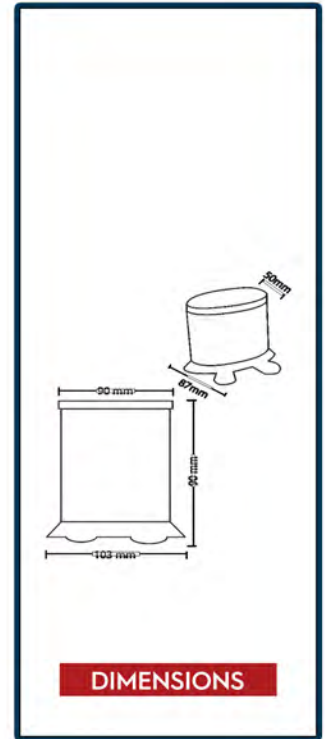
DIMENSIONS

PEN HOLDER 2

حامل اقلام 2

ACCESSORIES

WHERE IDEAS TAKE SHAPE.



PEN HOLDER 3

حامل اقلام 3

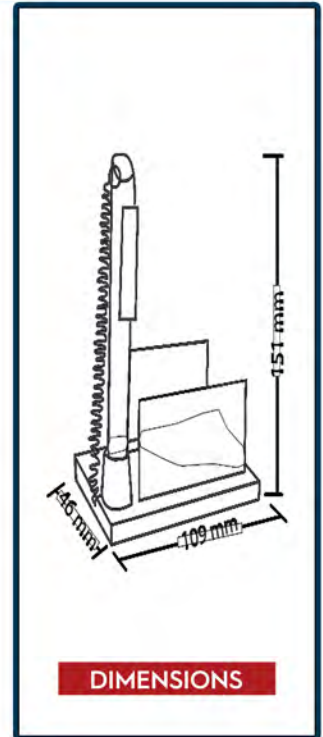
ACCESSORIES

WHERE IDEAS TAKE SHAPE.



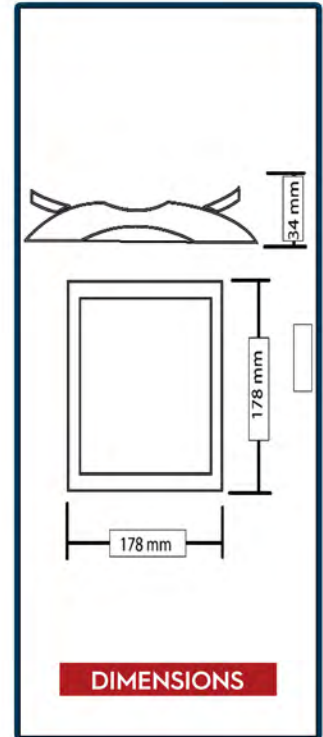
PEN HOLDER

حامل اقلام



CASH TRAY

WHERE IDEAS TAKE SHAPE.

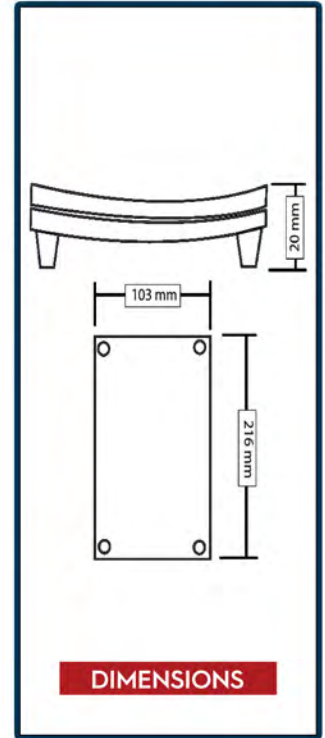


CASH TRAY

حامل نقود

CASH TRAY

WHERE IDEAS TAKE SHAPE.

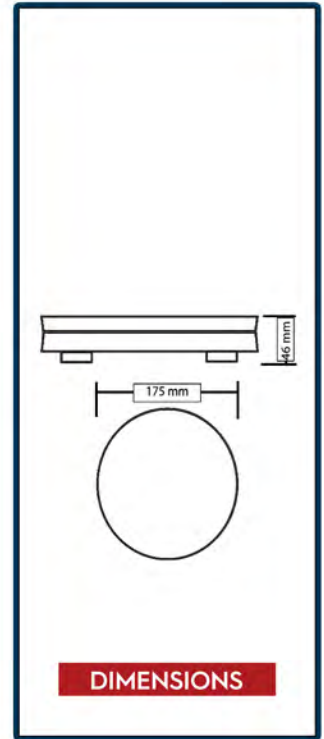


CASH TRAY 2

حامل نقود 2

CASH TRAY

WHERE IDEAS TAKE SHAPE.

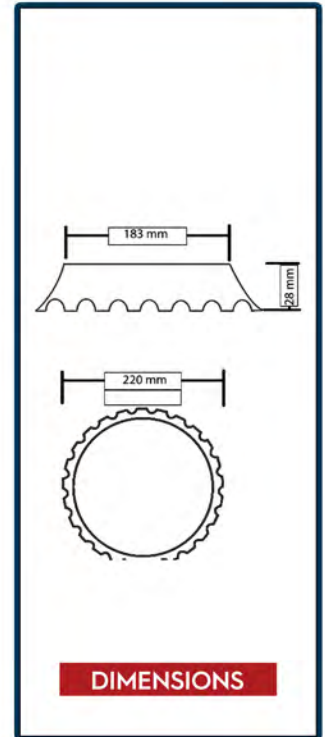


CASH TRAY 3

حامل نقود 3

CASH TRAY

WHERE IDEAS TAKE SHAPE.

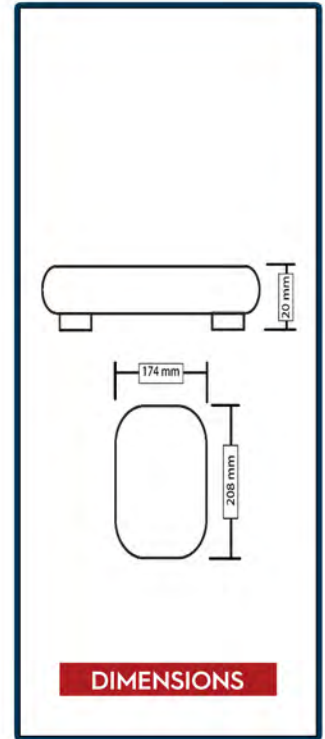


CASH TRAY 4

حاصل نقود 4

CASH TRAY

WHERE IDEAS TAKE SHAPE.

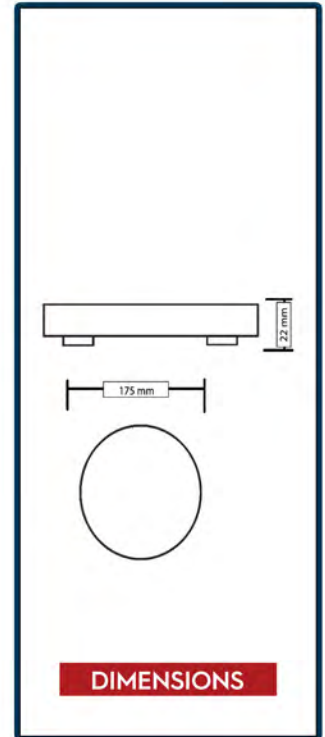


CASH TRAY 5

حامل نقود 5

CASH TRAY

WHERE IDEAS **TAKE SHAPE.**

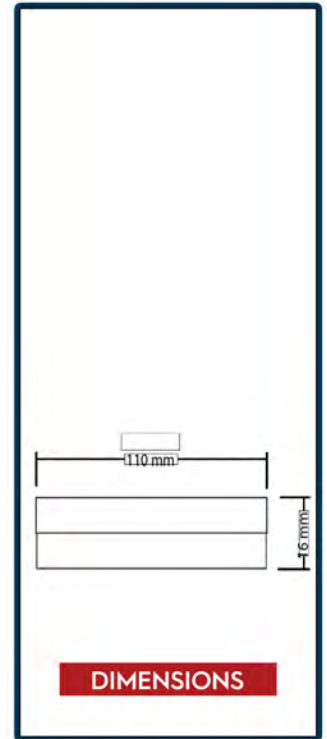


CASH TRAY 6

حامل نقود 6

STORAGE

WHERE IDEAS TAKE SHAPE.

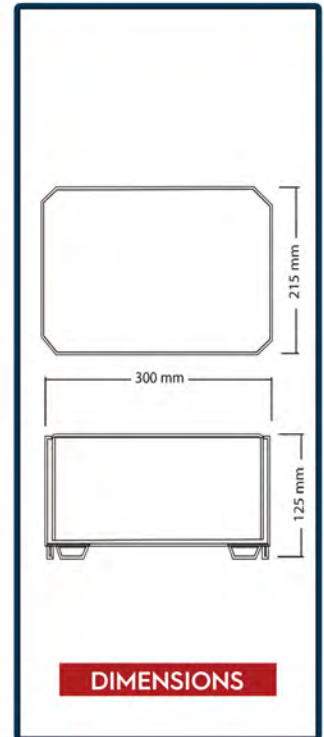


CHEESE CONTAINER

حافطة جبنة

STORAGE

WHERE IDEAS TAKE SHAPE.

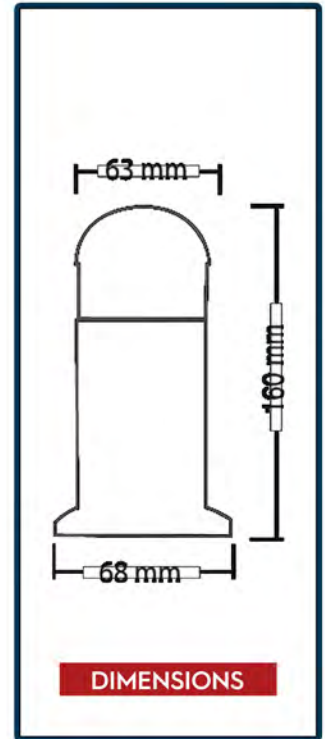


OPEN BOX

بوكس مفتوح

STORAGE

WHERE IDEAS TAKE SHAPE.

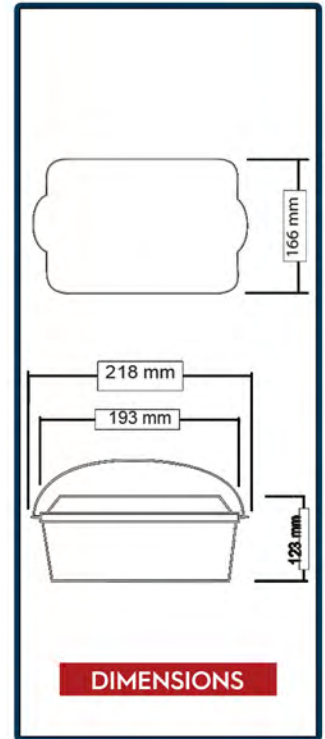


SPICES CONTAINER

علبة توابل

STORAGE

WHERE IDEAS TAKE SHAPE.

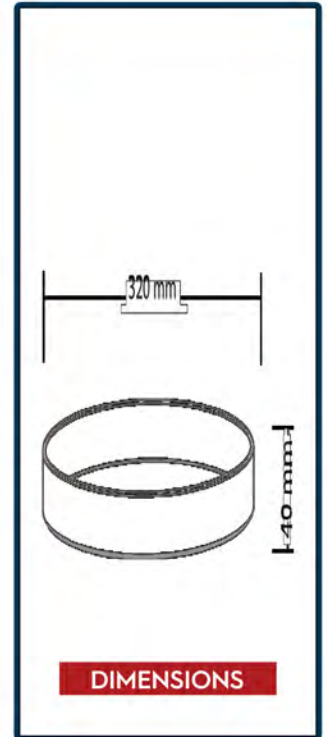


STORAGE BOX

بوكس تخزين

TRAYS

WHERE IDEAS TAKE SHAPE.

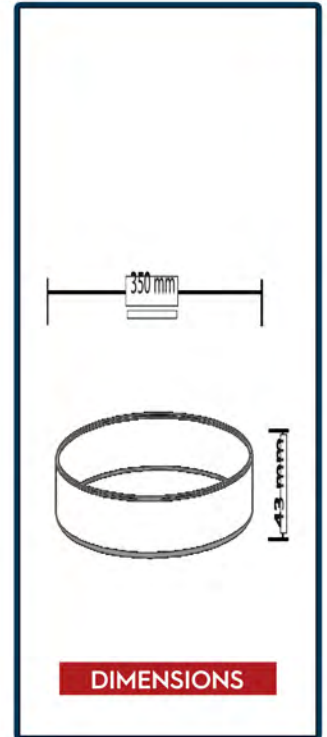


EDGED TRAY 2

صينية بحافة 2

TRAYS

WHERE IDEAS TAKE SHAPE.

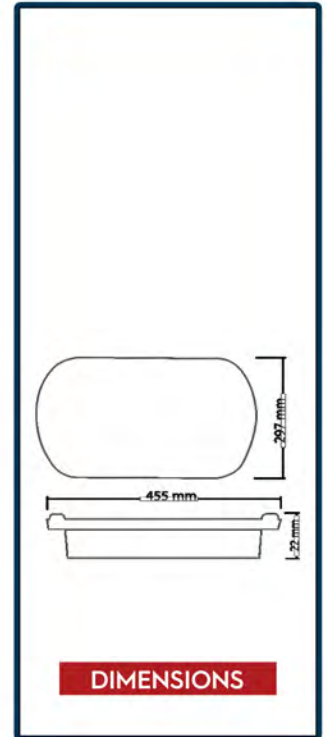


EDGED TRAY

صينية بحافة

TRAYS

WHERE IDEAS TAKE SHAPE.

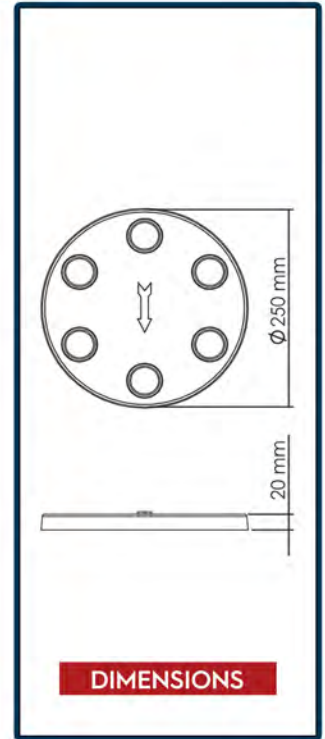


RECTANGULAR TRAY

حينية مستطيلة

TRAYS

WHERE IDEAS TAKE SHAPE.

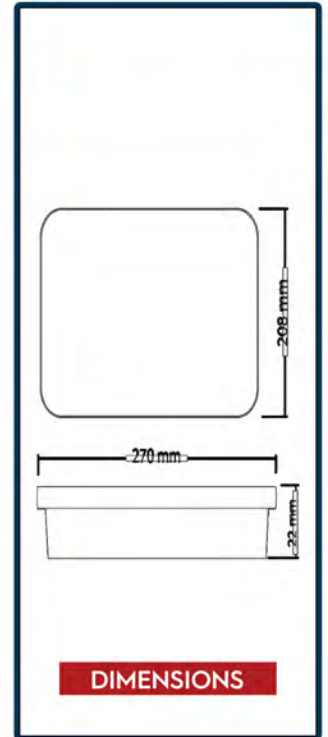


SPIN TRATY

صينية

TRAYS

WHERE IDEAS TAKE SHAPE.

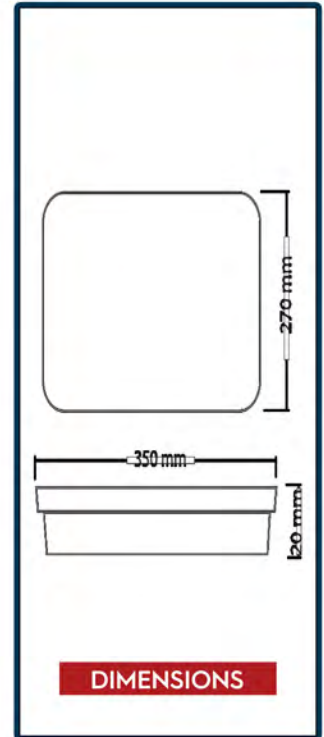


SQUARE TRAY

صينية مربعة

TRAYS

WHERE IDEAS TAKE SHAPE.

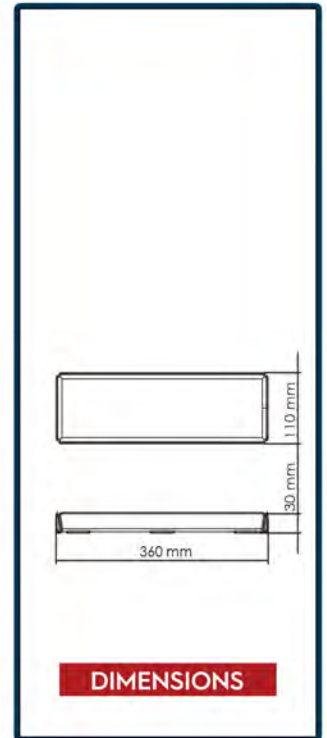


SQUARED EDGED TRAY

صينية مربعة بحافة

TRAYS

WHERE IDEAS **TAKE SHAPE.**

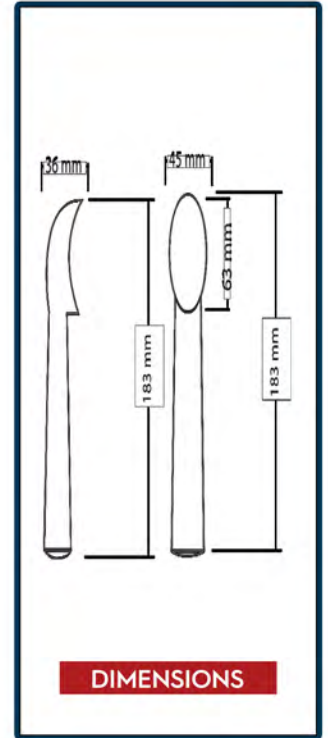


THIN RECTANGULAR TRAY

صينية رفيعة

SERVICES

WHERE IDEAS TAKE SHAPE.

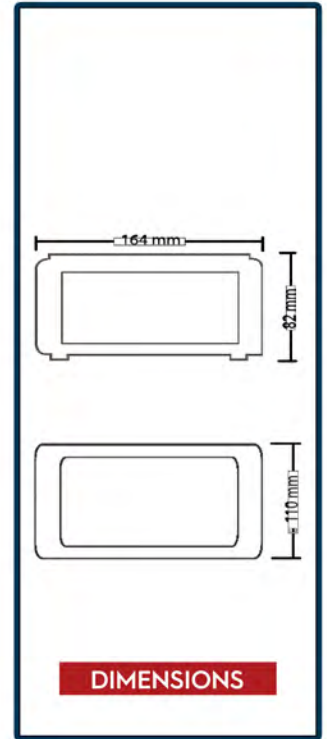


ICE-CREAM SCOOP

معلقة ايس كريم

SERVICE

WHERE IDEAS TAKE SHAPE.

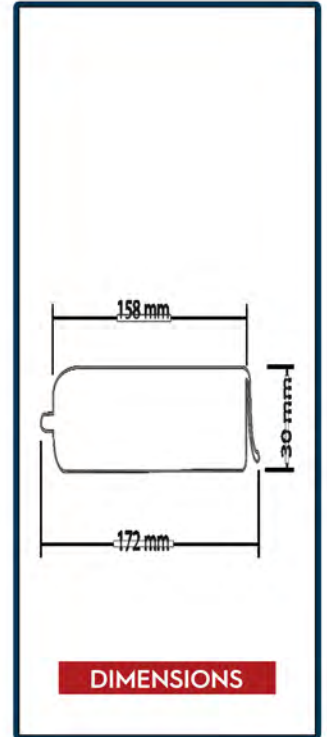


NAPKIN HOLDER

علبة مناديل

SERVICES

WHERE IDEAS **TAKE SHAPE.**

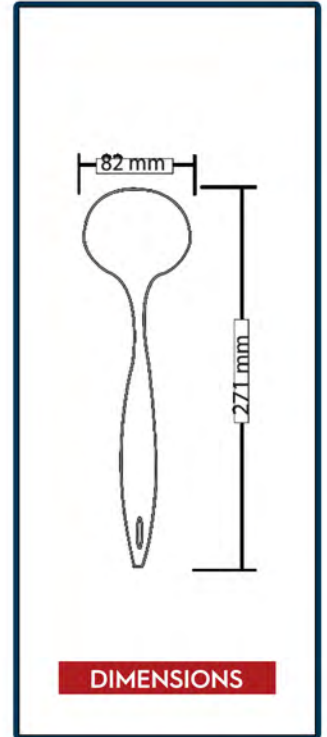


SEALING CLIP

مشبك اغلاق

SERVICES

WHERE IDEAS TAKE SHAPE.



SOUP SCOOP

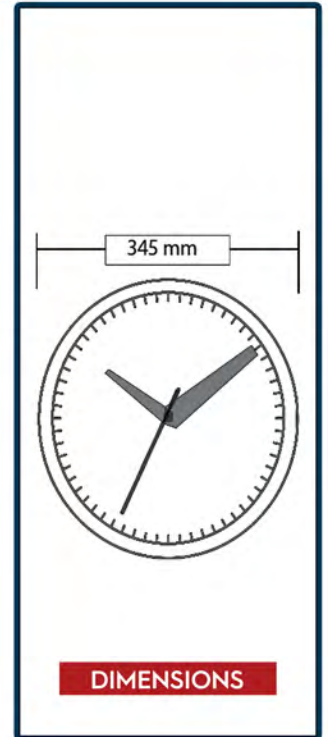
مغرفة

CLOCK

WHERE IDEAS TAKE SHAPE.



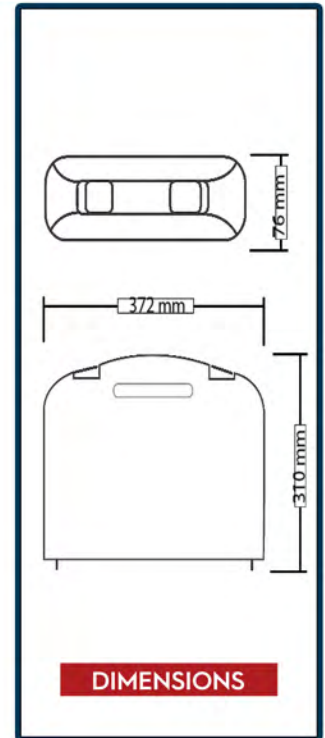
ROUND CLOCK



ساعة

MEDICAL

WHERE IDEAS TAKE SHAPE.



MEDICAL BOX

صندوق اسعافات

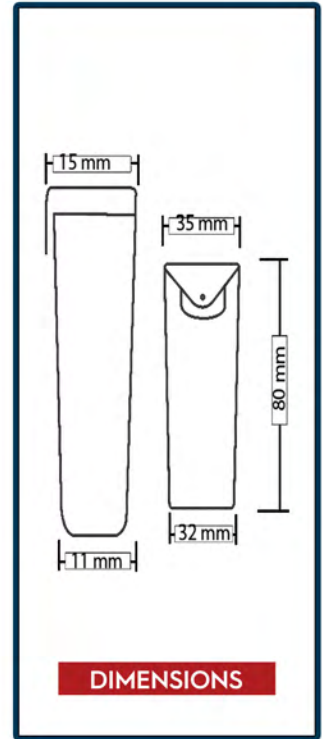
MEDICAL

WHERE IDEAS TAKE SHAPE.



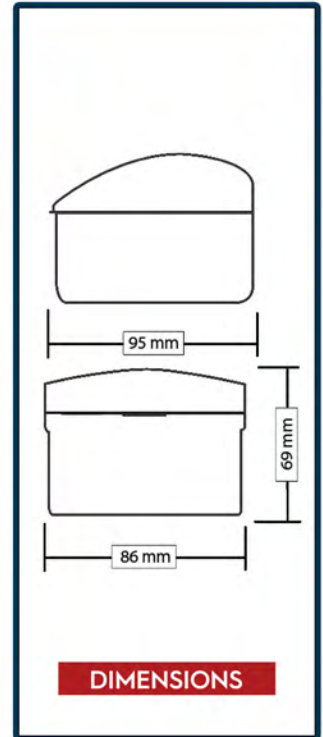
PLASTER BOX

حافظة لاصقة طبية



MEDICAL

WHERE IDEAS TAKE SHAPE.



TEETH HOLDER 2

حافظة اسنان 2

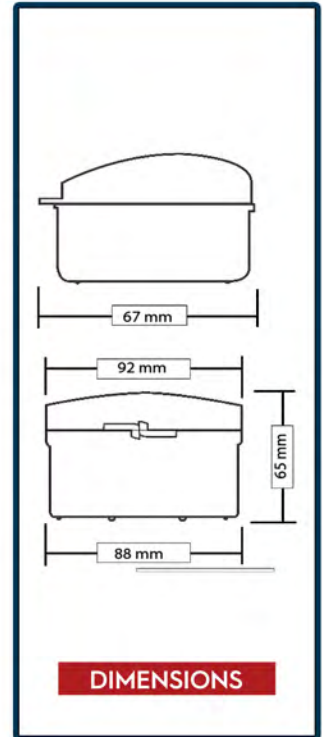
MEDICAL

WHERE IDEAS TAKE SHAPE.



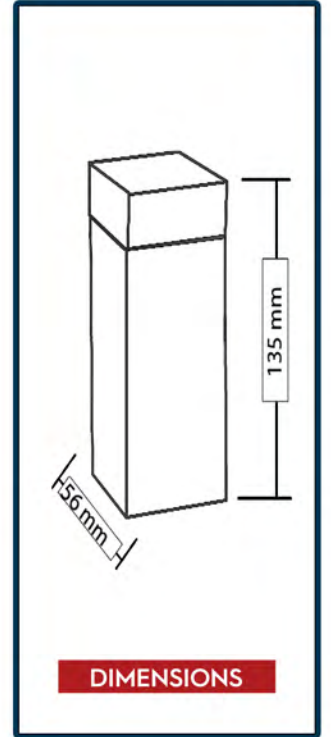
TEETH HOLDER

حافظة اسنان



MEDICAL

WHERE IDEAS TAKE SHAPE.

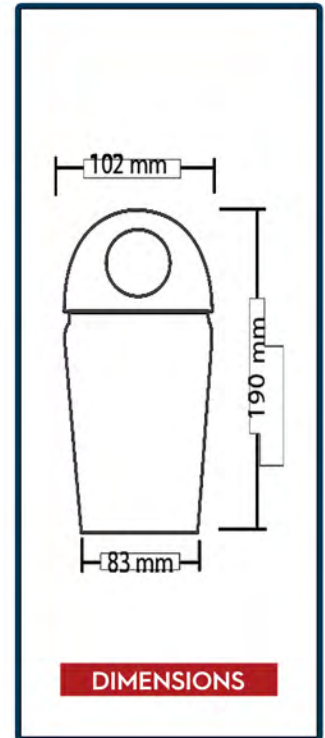


**TONGUE DEPRESSOR
HOLDER 3**

حافظة خافض اللسان 3

MEDICAL

WHERE IDEAS TAKE SHAPE.

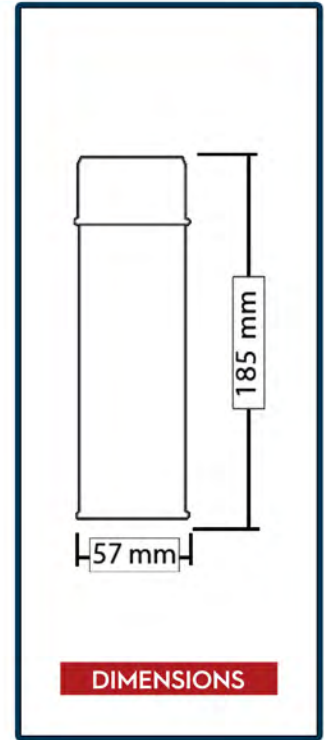


**TONGUE DEPRESSOR
HOLDER 2**

حافظة خافض اللسان 2

MEDICAL

WHERE IDEAS TAKE SHAPE.

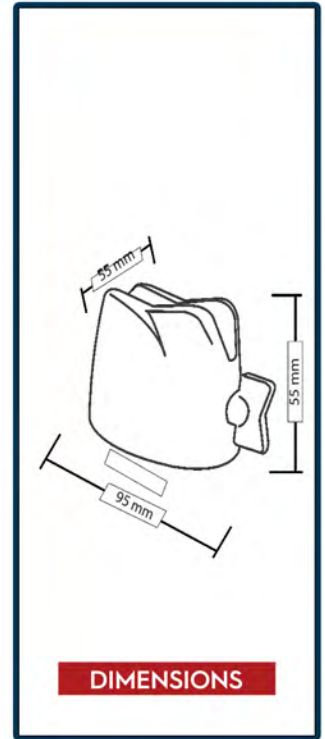


**TONGUE DEPRESSOR
HOLDER**

حافظة خافض اللسان

MEDICAL

WHERE IDEAS TAKE SHAPE.

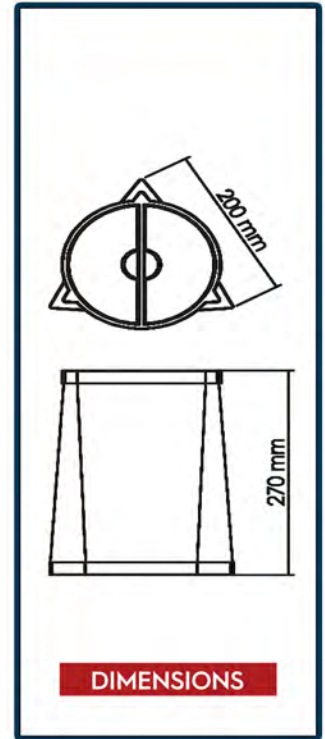


TOOTHPASTE PUSHER

ضاغظ معجون اسنان

DISPLAYS

WHERE IDEAS TAKE SHAPE.

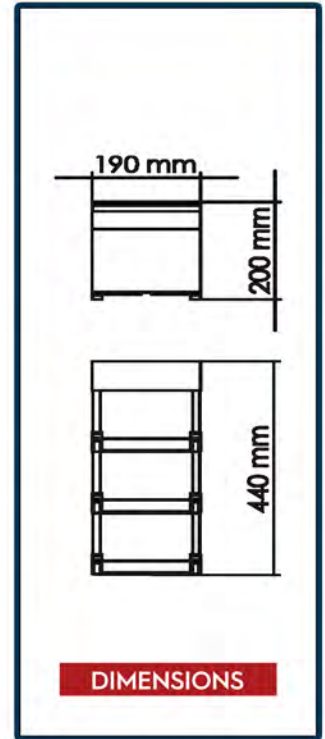


COMMERCIAL DISPLAY 2

عارض منتجات 2

DISPLAYS

WHERE IDEAS **TAKE SHAPE.**

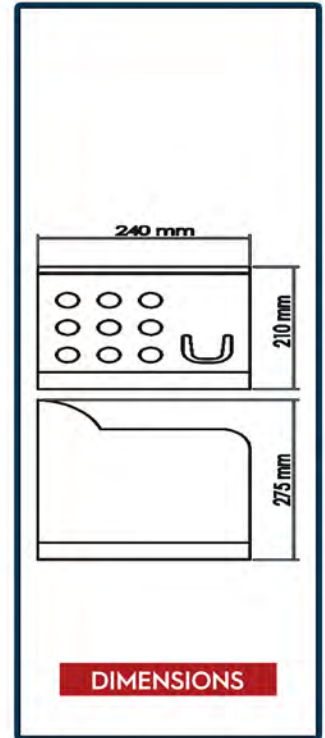


COMMERCIAL DISPLAY 3

عارض منتجات 3

DISPLAYS

WHERE IDEAS **TAKE SHAPE.**



COMMERCIAL DISPLAY 4

عارض منتجات 4

DISPLAYS

WHERE IDEAS TAKE SHAPE.



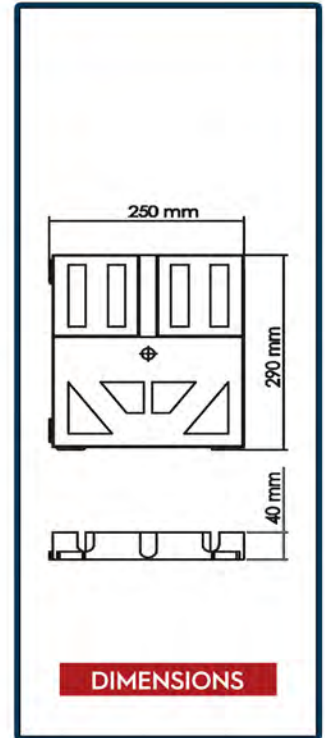
DIMENSIONS

COMMERCIAL DISPLAY 5

عارض منتجات 5

DISPLAYS

WHERE IDEAS TAKE SHAPE.



COMMERCIAL DISPLAY

عارض منتجات



**HERO
PLAST**
Plastic Industries

*WHERE IDEAS
TAKE SHAPE.*

 11/22 INDUSTRIAL ZONE
NEW DIMIATTA, EGYPT.

 84 برج فيروز المطار الدور السابع اسفل العمارة بيوتيك
جوزيف تيتو النزهة الجديدة

 +2 057 242 9163

 +2 022 624 8636

 +2 0111 123 7128

WWW.HEROPLAST.COM